

mTwing

Half height turnstile

- > Ideally complements the product range of FlowMotion®
- > With barrier and railing elements for an unrestricted view into the building
- > Compact accommodation of drive and control systems in the centre column
- > Low impact forces for maximum personal safety
- > Freely turning on power outages
- > Designed for 10,000,000 opening and closing cycles



Technical data	mTwing
Application	Indoor and outdoor
Passage width	Standard: 635 mm
Barrier element height	Standard: glass 664 mm, U-bar 390 mm
Opening/closing time	Glass: 3,2 s, U-bar: 2,1s, depending on barrier element dimensions
Wing configuration	3 x 120°
Drive technology	MHTM™
Control system	MGC
Voltage	100–240 V AC, 50/60 Hz
Power consumption	Maximum 80 W

Technical data	mTwing
Duty cycle	100 %
Housing material	Aluminium
Housing height	1034 mm
Housing diameter	Maximum 186 mm
Enclosure rating	IP 54
Weight	approx. glass 69 kg, U-bar 43 kg
Temperature range	–30 to +55 °C
Flow rating (number of persons per min.)*	approx. 15

* Depending on reader, lock setting, person behaviour

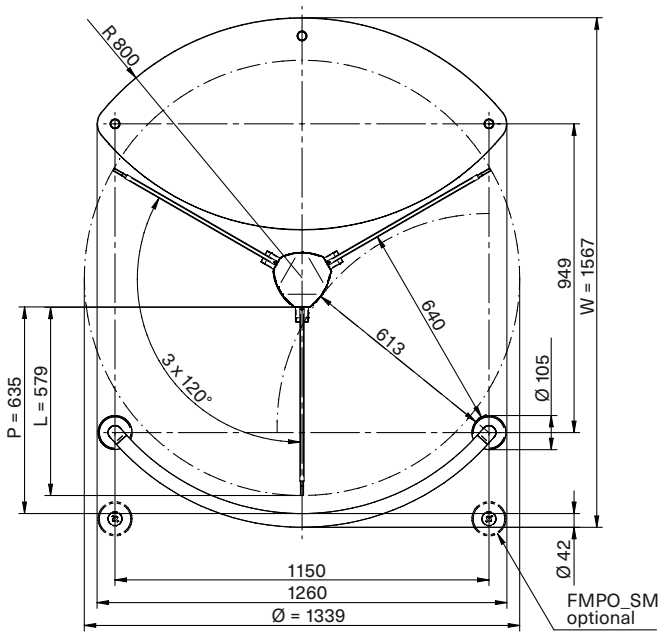
Standardfarben

	
Basalt (ähnlich RAL 9006)	Anthrazit (ähnlich RAL 9005)

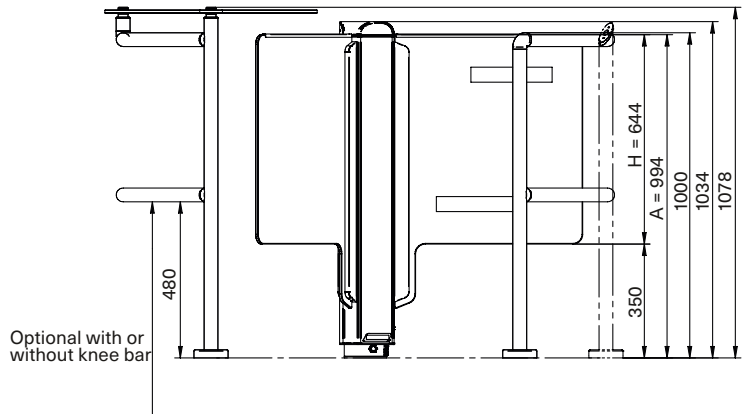
Einsatzmöglichkeiten



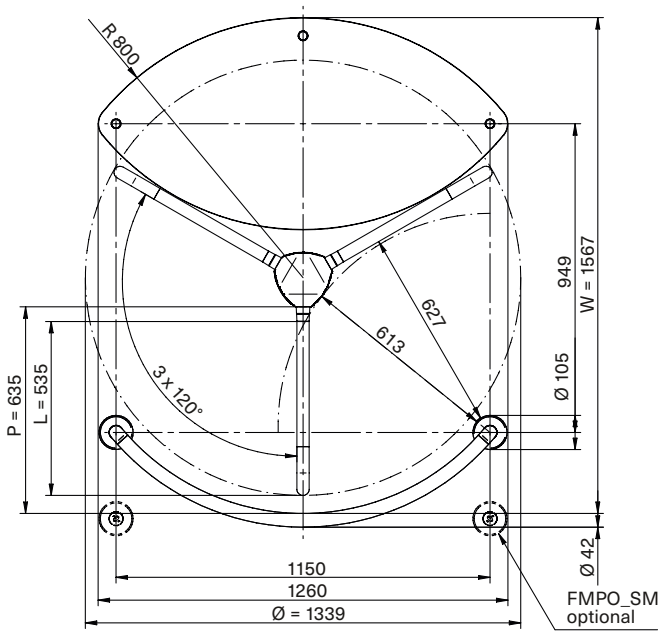
mTwing with glass panels top view



mTwing with glass panels – side view



mTwing with U-bars – top view



mTwing with U-bars – side view

